

MAPP: A Platform for Prototyping Algorithms and Models Quickly and Easily

**Tianshi Wang, Karthik Aadithya,
Bichen Wu and Jaijeet Roychowdhury**

EECS Department
University of California at Berkeley

Motivation for MAPP

- **Berkeley Model and Algorithm Prototyping Platform**
- Developing **good** compact models: many pitfalls
 - » examples: **discontinuities/smoothness, well-posedness**
 - problems usually discovered at deployment (ie, during simulation)
 - » problems often hard to debug and resolve
 - compact model developer and simulator people blame each other
- Anyone working in simulation algorithms today needs
 - » device models: BSIM, MOS1, MOS2, MOS3, ...
 - » base algorithms: **robust nonlinear solution**, transient, HB/shooting, ...
 - » parsing, equation formulation, output, ...
 - » huge (waste of) effort of re-development of basic capabilities
- One goal of MAPP: to ease these problems
 - » common, open-source simulation framework
 - » in MATLAB
 - empowers non-programmers to debug models and algorithms

Why not use SPICE?

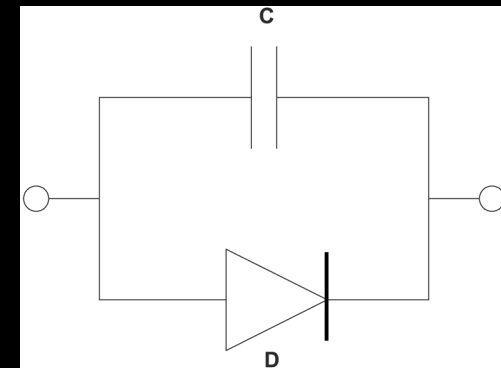
- SPICE: the original open-source simulator
 - » de-facto standard
 - » structure: all analyses in all models
 - » prototyping models & algorithms: takes months to years
 - » pain to write (even for those who can)
 - e.g., shooting method (S-SPICE)
- To be useful: modular, well-structured, flexible
 - » separated models, algorithms, numerics, I/Os
 - » simple, clean interfaces
 - » short, easy to read, easy to modify

Excerpt from dioload.c (SPICE3)

```
#ifdef SENSDEBUG
    printf("vd = %.7e \n", vd);
#endif /* SENSDEBUG */
    goto next1;
}
if(ckt->CKTmode & MODEINITSMSIG) {
    vd= *(ckt->CKTstate0 + here->DIOvoltage);
} else if (ckt->CKTmode & MODEINITTRAN) {
    vd= *(ckt->CKTstate1 + here->DIOvoltage);
} else if ( (ckt->CKTmode & MODEINITJCT) &
            (ckt->CKTmode & MODETRANOP)
            && (ckt->CKTmode & MODEUIC) ) {
    vd=here->DIOinitCond;
} else if ( (ckt->CKTmode & MODEINITJCT) && here->DIOoff)
{
    vd=0;
} else if ( ckt->CKTmode & MODEINITJCT) {
    vd=here->DIOtVcrit;
} else if ( ckt->CKTmode & MODEINITFIX && here->DIOoff) {
    vd=0;
} else {
#ifdef PREDICTOR
    if (ckt->CKTmode & MODEINITPRED) {
```

Glimpse: Diode Model in MAPP

```
1 function MOD = diodeCapacitor_ModSpec_wrapper()
2 % ModSpec description of an ideal diode in parallel with a capacitor
3 MOD = ee_model();
4 MOD = add_to_ee_model(MOD, 'external_nodes', {'p', 'n'});
5 MOD = add_to_ee_model(MOD, 'explicit_outs', {'ipn'});
6 MOD = add_to_ee_model(MOD, 'parms', {'C', 2e-12, 'Is', 1e-12, 'VT', 0.025});
7 MOD = add_to_ee_model(MOD, 'f', @f);
8 MOD = add_to_ee_model(MOD, 'q', @q);
9 end
10
11 function out = f(S)
12 v2struct(S);
13 out = Is*(exp(vpn/VT)-1);
14 end
15
16 function out = q(S)
17 v2struct(S);
18 out = C*vpn;
19 end
"diodeCapacitor_ModSpec_wrapper.m" 19L, 548C written 1,1 All
```



MOD.terminals
MOD.parms
MOD.explicit_outs
MOD.f: function handle
MOD.q: function handle
...

- executable (in Matlab)
- takes 10min to write
- works in all analyses

Glimpse: Shooting Method in MAPP

Shooting Algorithm in MAPP (pseudo-code)

```
shootObj = shoot(DAE): // constructor
  1: shootObj.DAE = DAE;
  2: shootObj.tranObj = LMS(DAE); // transient simulation object
  3: set up member functions: .solve, .g, and .J
  4: return shootObj;

shootObj.solve (initguess, T):
  1: x0 ← NR(@g, @J, initguess);
  2: shootSols = tranObj.solve(x0, 0, T);
  3: return shootSols;

shootObj.g (x0):
  1: tranSols = tranObj.solve(x0, 0, T);
  2: return gout = tranSols(:, n) - x0;

shootObj.J (x0):
  1: tranSols = tranObj.solve(x0, 0, T);
  2: Ci_pre = DAE.dq_dx(x0);
  3: M = eye(n);
  4: for i = 2:n do
  5:   x = tranSols(:, i); u = inputs(:, i);
  6:   Ci = DAE.dq_dx(x); Gi = DAE.df_dx(x, u);
  7:   M = (Ci + (tpts(i) - tpts(i-1)) * Gi) \ Ci_pre * M;
  8:   Ci_pre = Ci;
  9: end for
  10: return Jout = M - eye(n);
```

object-oriented

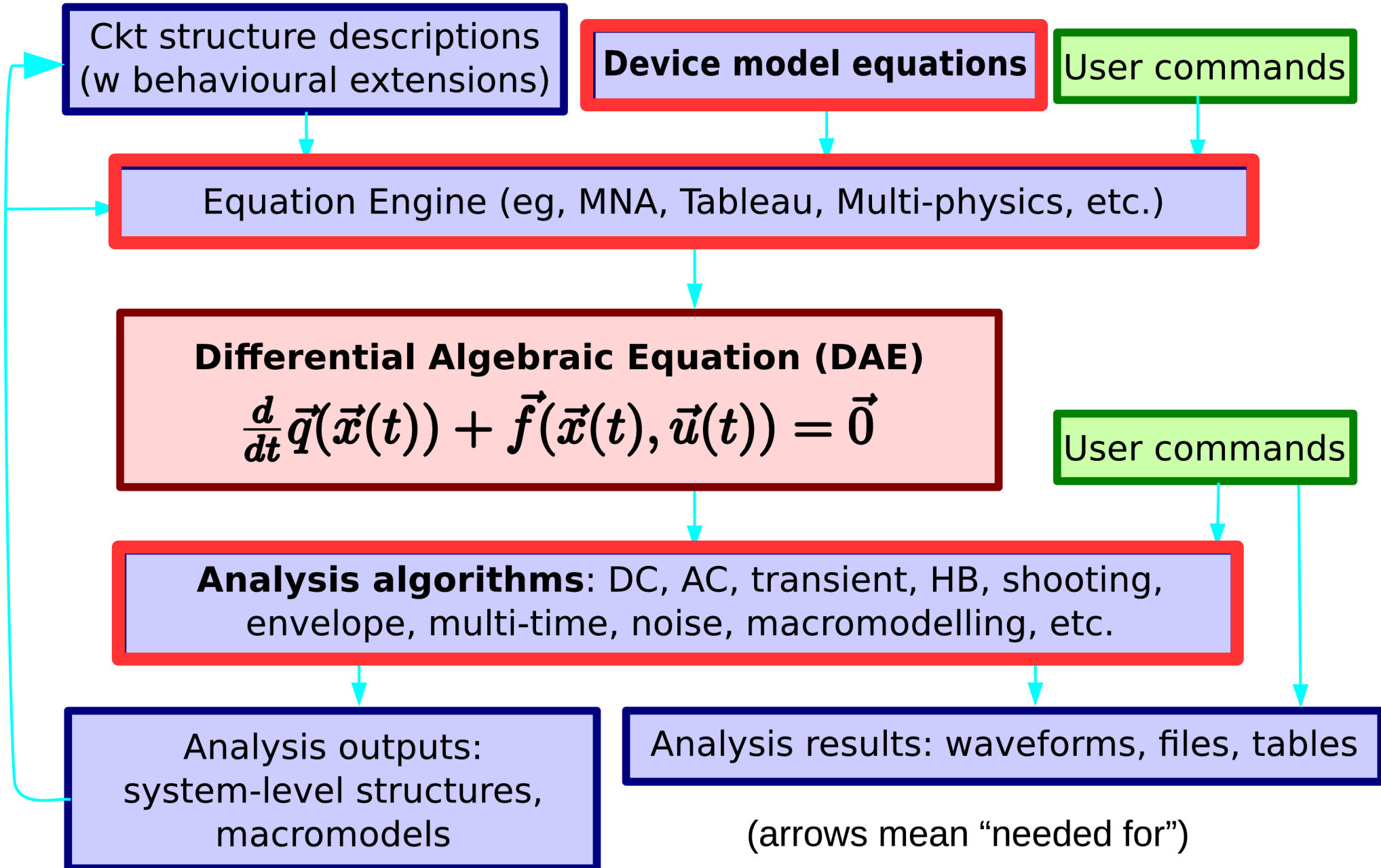
reuses LMS (transient) code

150 lines of code

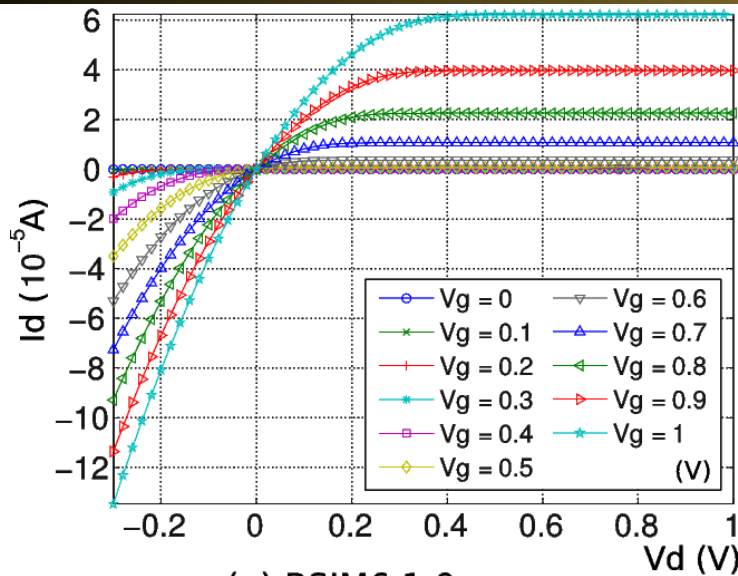
**works with all devices,
circuits, domains**

**a pleasure to write
(you too can do it)**

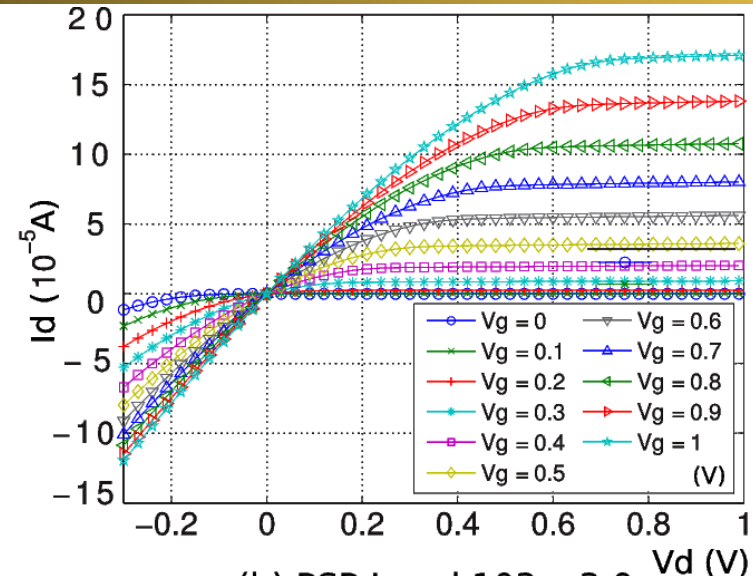
Code Structuring of MAPP



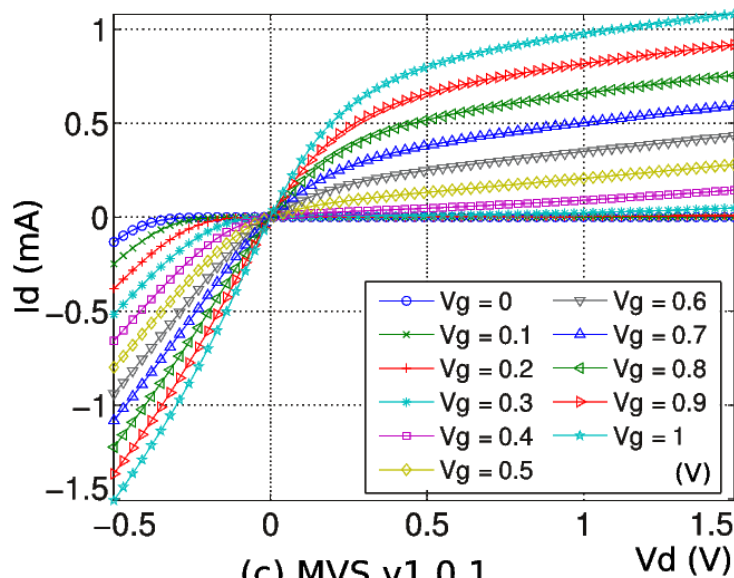
MAPP: Compact Model Prototyping



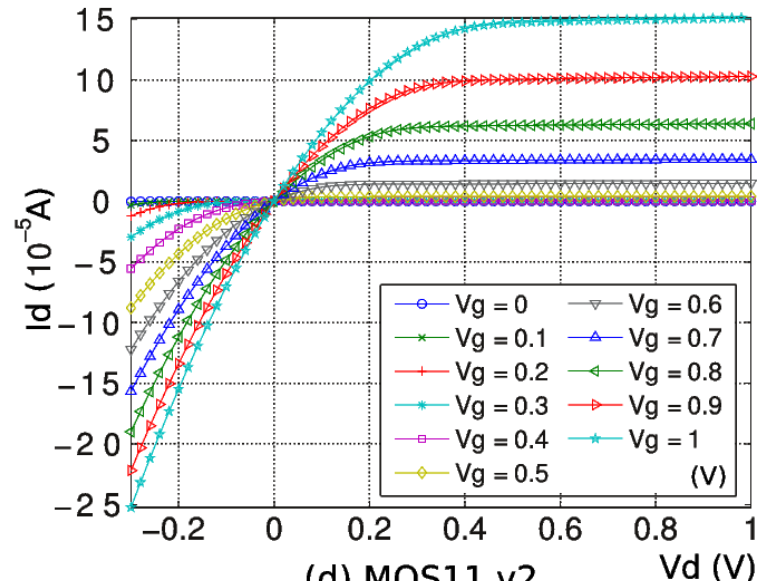
(a) BSIM6.1.0
default: $L=10\mu\text{m}$, $W=10\mu\text{m}$



(b) PSP Level 103 v3.0
default: $L=10\mu\text{m}$, $W=10\mu\text{m}$

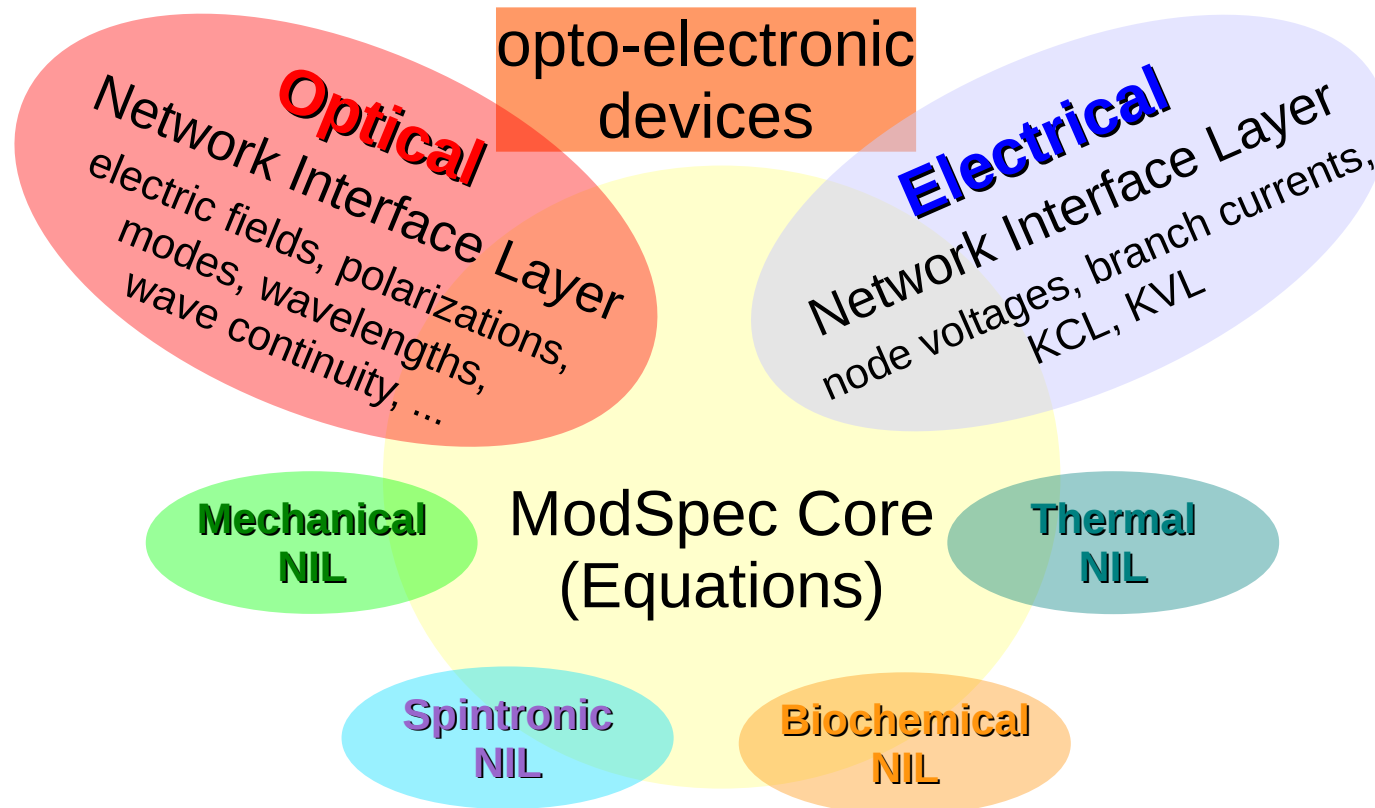


(c) MVS v1.0.1
default: $L=80\text{nm}$, $W=1\mu\text{m}$

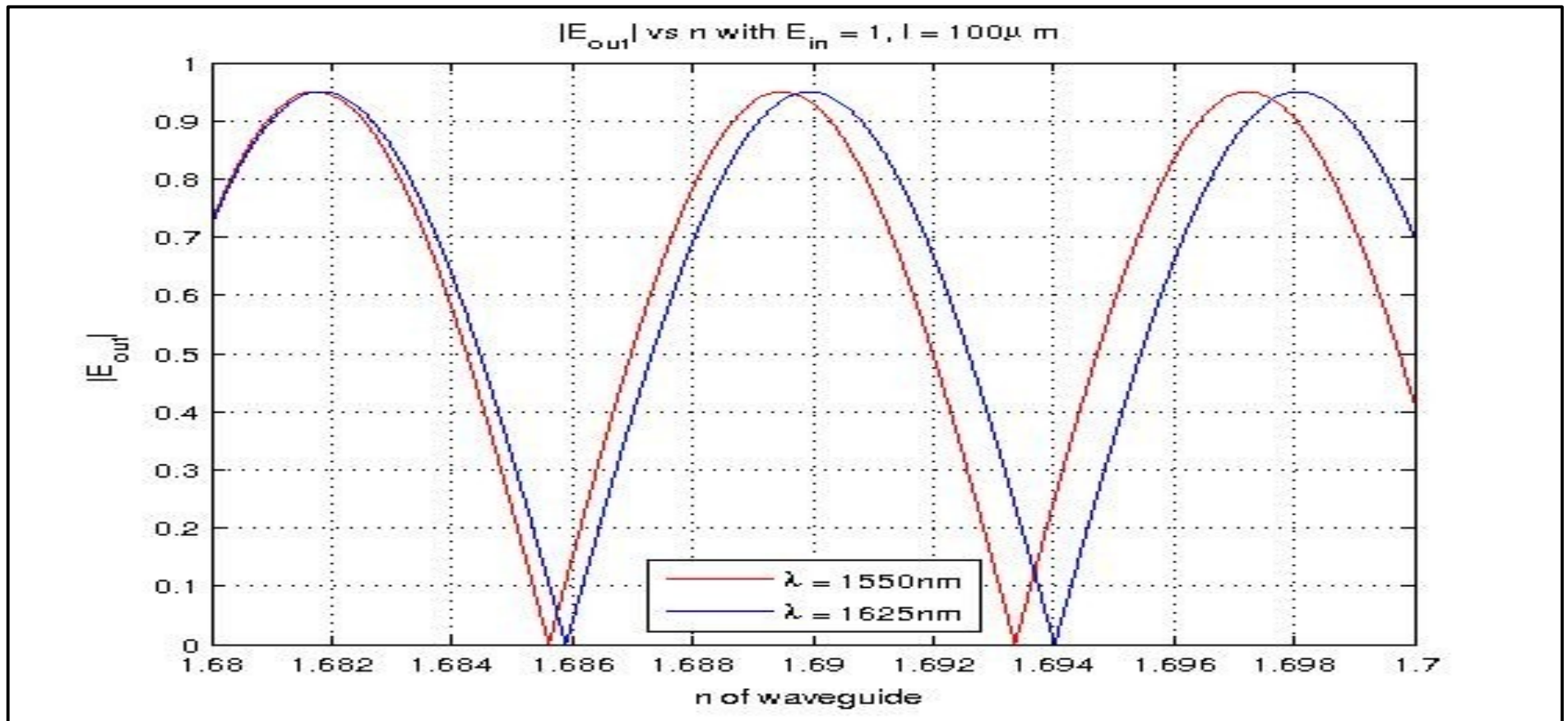
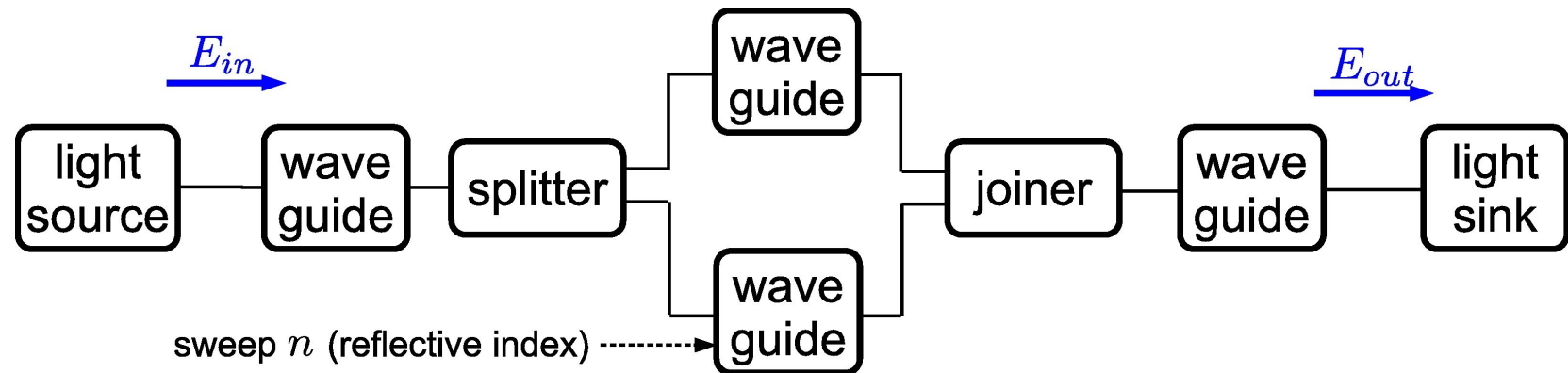


(d) MOS11 v2
default: $L=1\mu\text{m}$, $W=1\mu\text{m}$

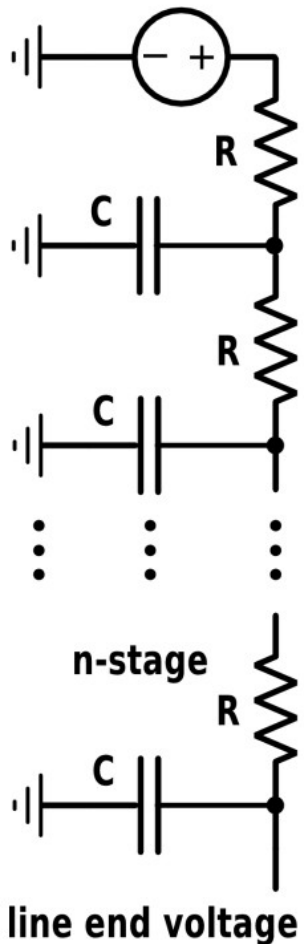
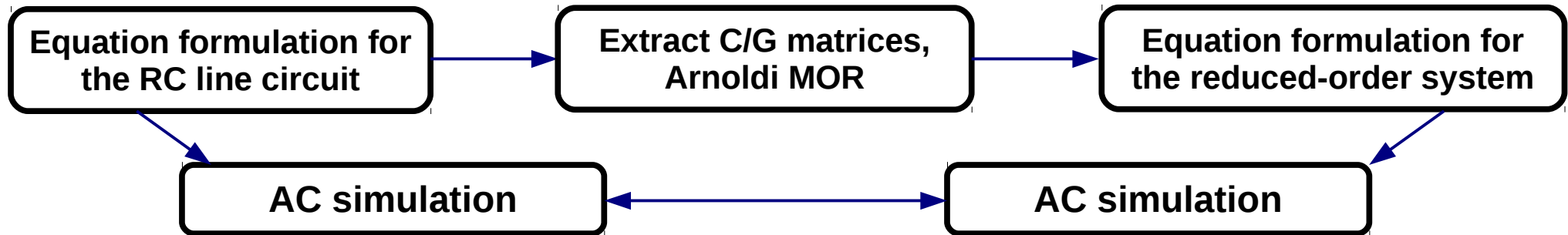
MAPP: Multi-Physics Support



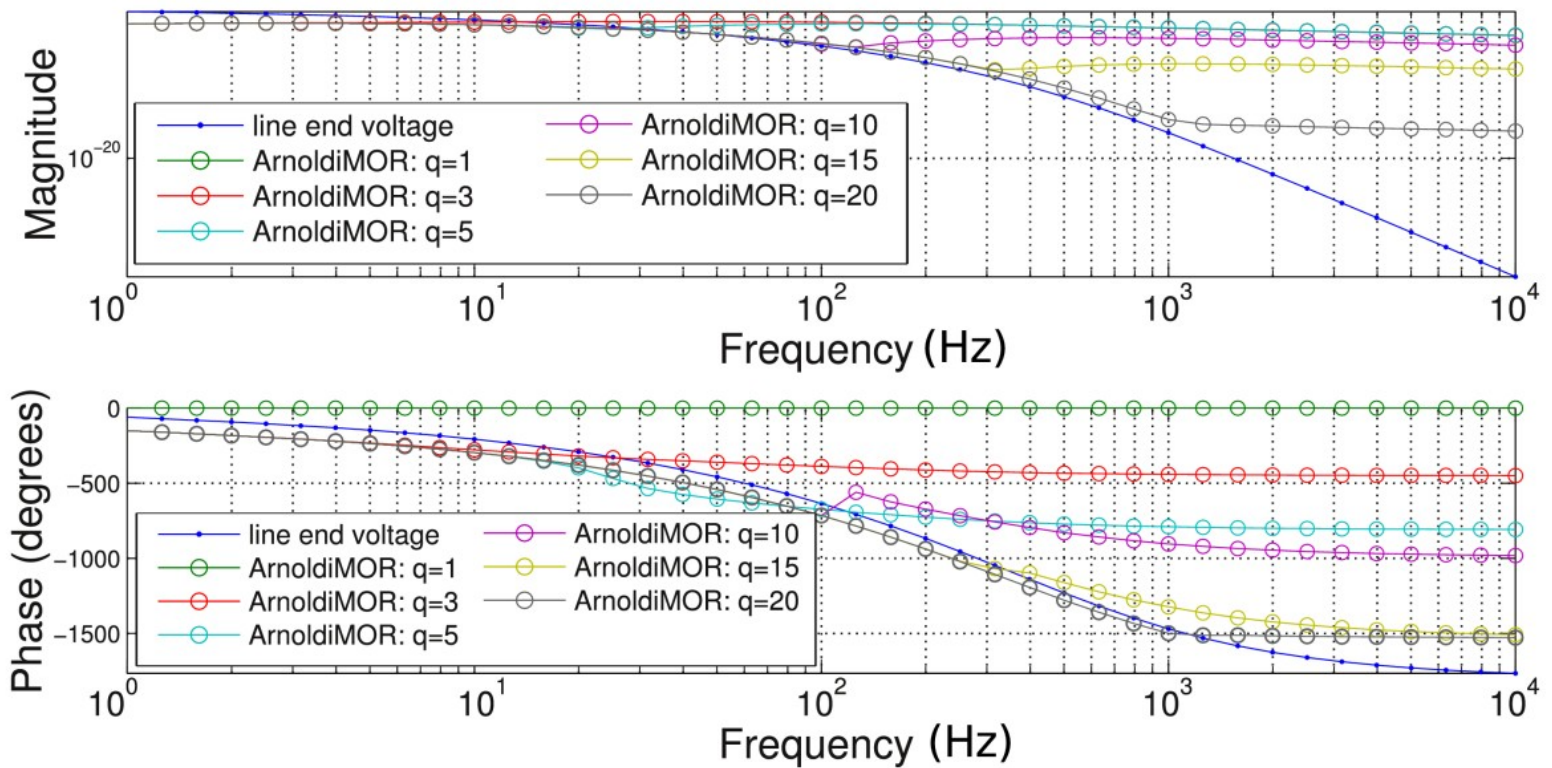
Optical System Modelling/Simulation Example



LTI MOR Example in MAPP

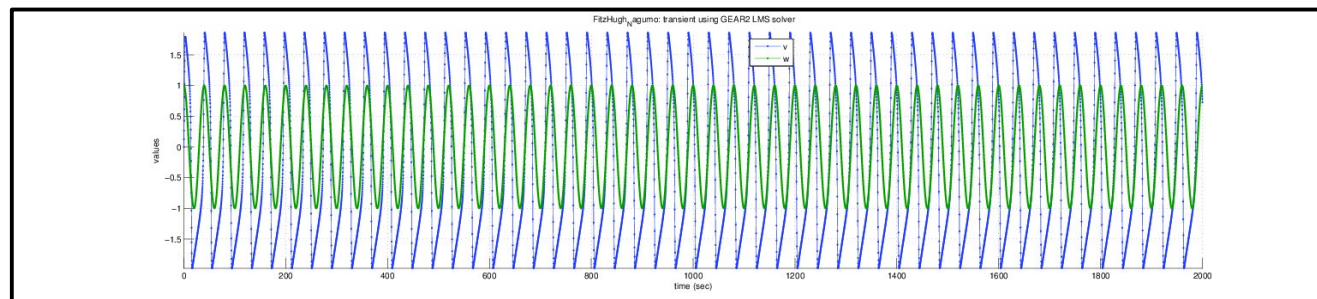


AC analysis: RC line with 20 segments: line end voltages with and without MOR

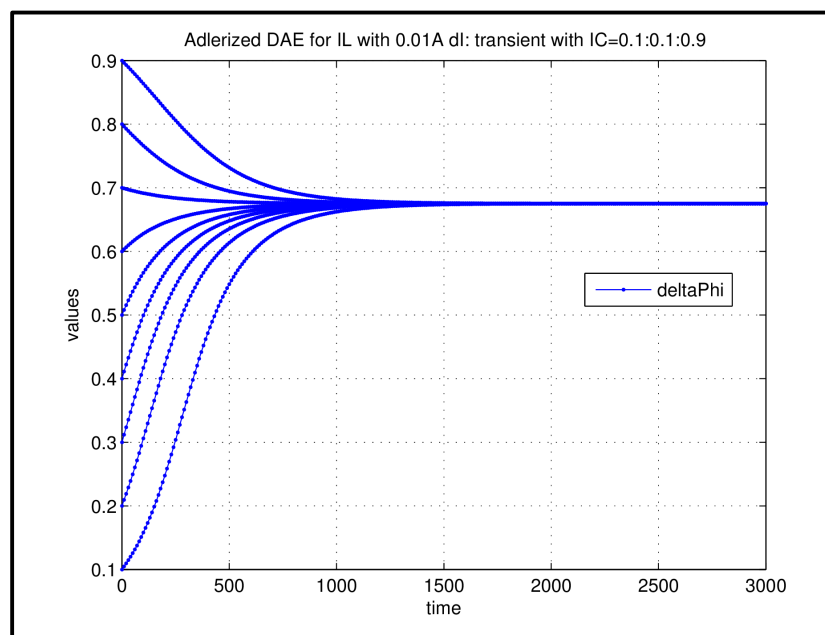


Phase-based Reduced-order Model in MAPP

Standard TRAN simulation:

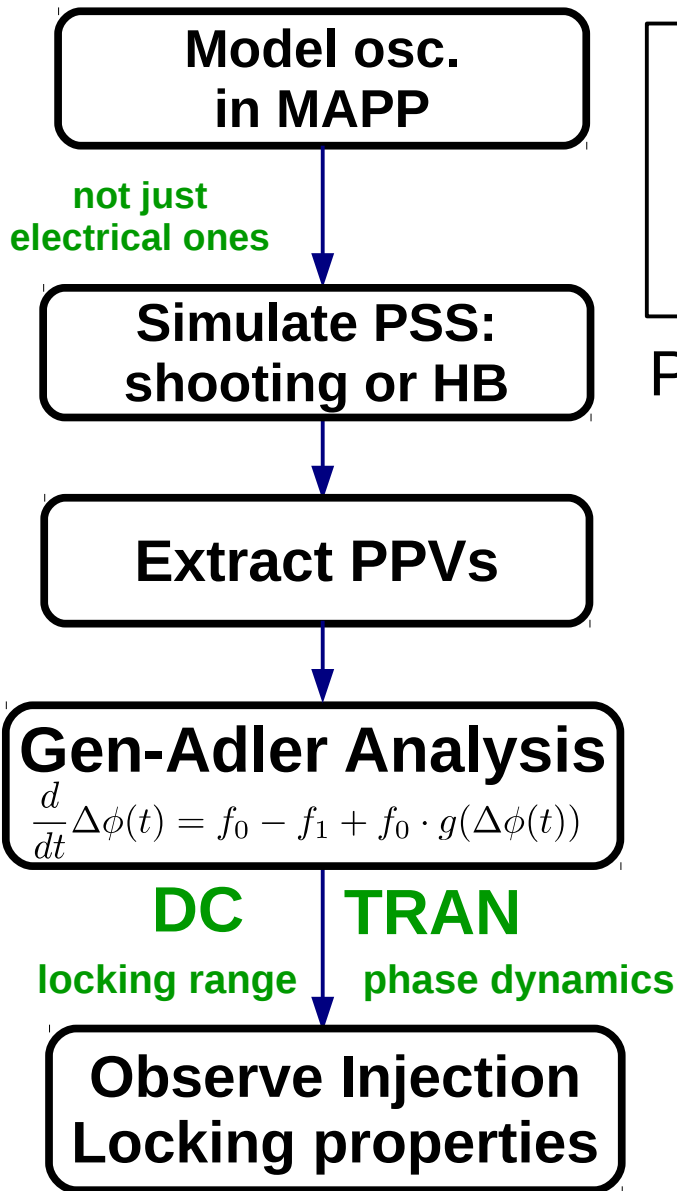


Phase-based TRAN:

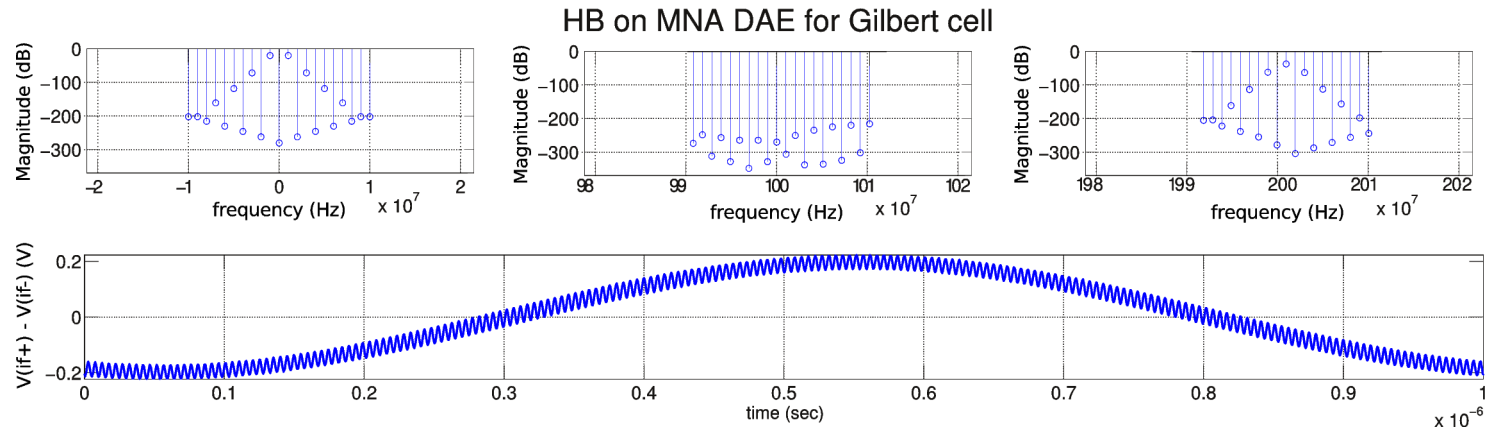
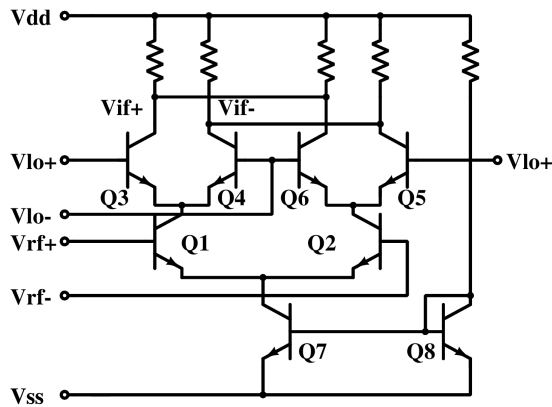


$\Delta\phi(t)$ captures phase response nicely

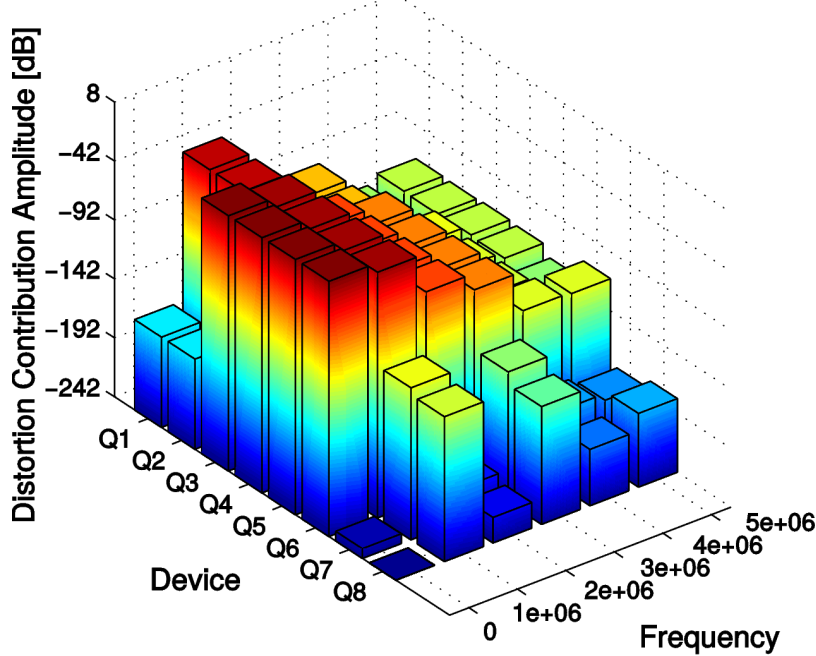
details: Bhansali/Roychowdhury, "Gen-Adler: the Generalized Adler's equation for injection locking analysis in oscillators". Proc. ASPDAC, 2009.



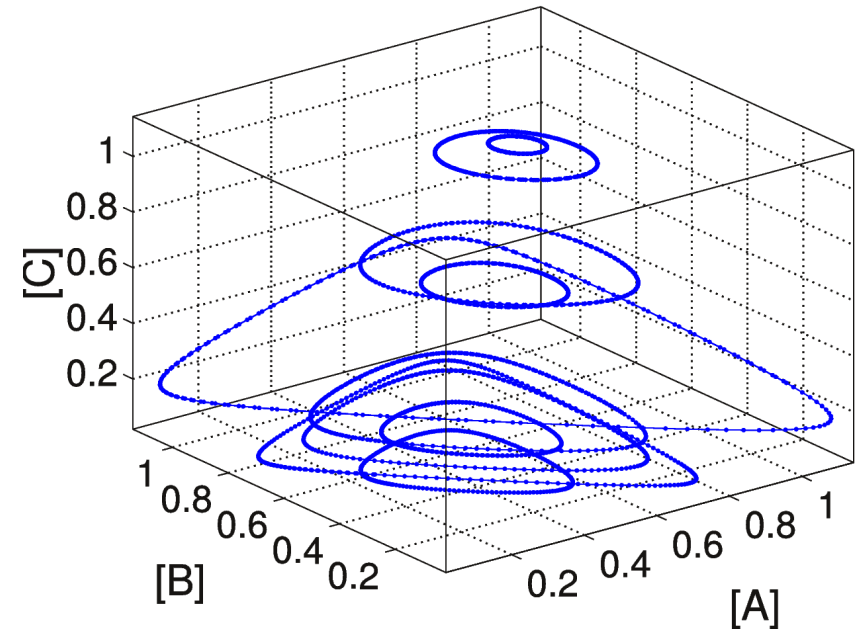
Simulation Algorithms in MAPP: More Examples



Distortion Contribution Analysis on Gilbert cell



3D phase plane plot of RRE
for $A + B \rightarrow 2B$; $B + C \rightarrow 2C$; $C + A \rightarrow 2A$



details: Wu/Roychowdhury, "Efficient per-element distortion contribution analysis via Harmonic Balance adjoints". Proc. CICC 2014.

MAPP: First Public Release

- Open Source download: <http://mapp.eecs.berkeley.edu>
 - » mailing list (MAPP announcements/discussion)
 - » bug reporting and tracking site
 - » git repository access (you can contribute)
- License
 - » primary: GPL-v3
 - » alternative licensing available
 - eg, SRC contract terms apply for SRC company use
 - » contributors can specify their own alternative licensing terms for their contributions

MAPP: Features

- Works entirely in MATLAB
 - » C++ version to be released
- Help system (start with `help MAPP`)
 - » quick start walk-through
- Automatic differentiation (`vecvalder`)
 - » `help MAPPautodiff`
- Executable device specification (`ModSpec`)
 - » examples, tutorial: part of help
- DC, AC, transient analyses
 - » also noise, homotopy, HB, shooting, PPV, MOR, etc. (not released yet)
- Automated testing system exercising suite of tests

MAPP: Intended Uses

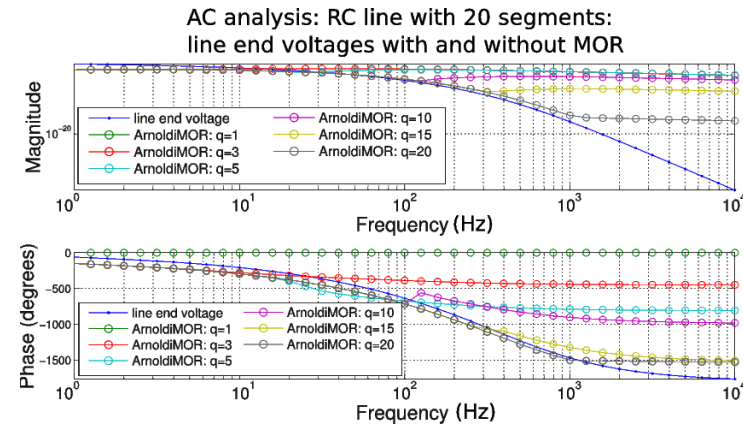
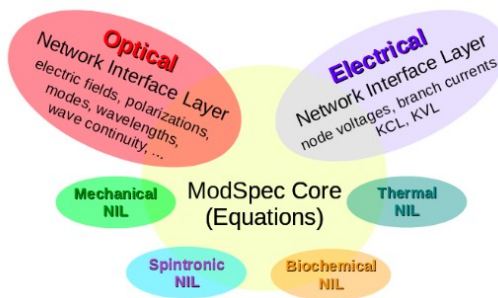
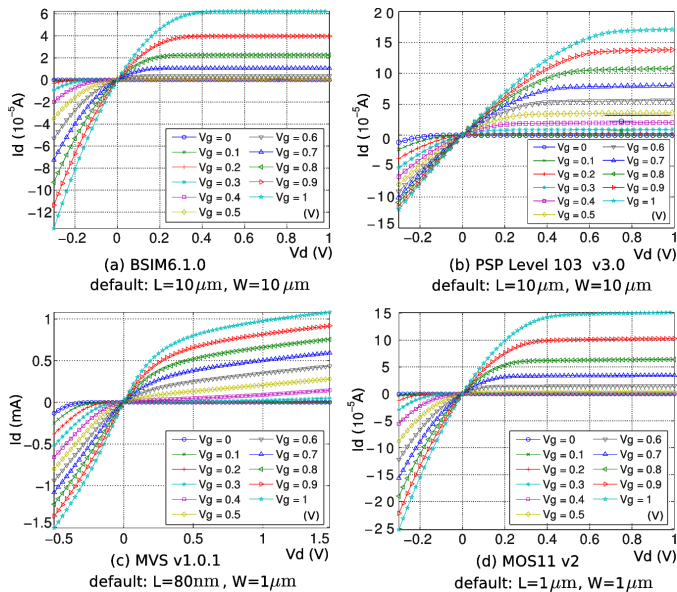
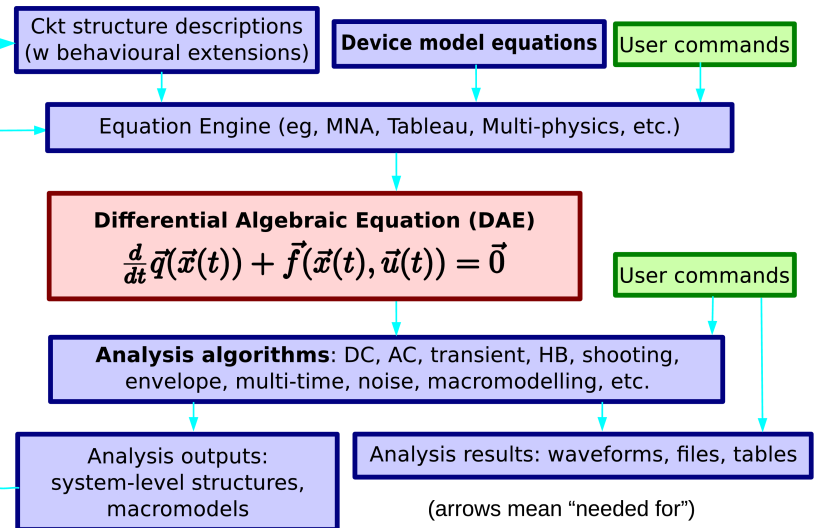
- **Developing simulation-ready device models**
 - » including multi-physics devices, network connectivity
- **Quickly prototyping new simulation algorithms**
 - » **hours/days to implement a new analysis**
 - assess strengths/limitations before investing resources to implement in “real simulators”
- **Learning or teaching modelling/simulation**
 - » MATLAB → broadly accessible
 - » help system, tutorials, supporting resources

Summary

```

#ifdef SENSDEBUG
  printf("vd = %.7e \n",vd);
#endif /* SENSDEBUG */
  goto next1;
}
if(ckt->CKTmode & MODEINITSMSIG) {
  vd= *(ckt->CKTstate0 + here->DIOvoltage);
} else if (ckt->CKTmode & MODEINITTRAN) {
  vd= *(ckt->CKTstate1 + here->DIOvoltage);
} else if ( (ckt->CKTmode & MODEINITJCT) &&
  (ckt->CKTmode & MODETRANOP)
  && (ckt->CKTmode & MODEEIC) ) {
  vd=here->DIOinitCond;
} else if ( (ckt->CKTmode & MODEINITJCT) && here->DIOoff)
{
  vd=0;
} else if ( ckt->CKTmode & MODEINITJCT) {
  vd=here->DIOVcrit;
} else if ( ckt->CKTmode & MODEINITFIX && here->DIOoff) {
  vd=0;
} else {
#ifdef PREDICTOR
  if (ckt->CKTmode & MODEINITPRED) {

```



<http://MAPP.eecs.berkeley.edu>